



South Carolina
Department of Transportation

955 Park Street
Post Office Box 191
Columbia, South Carolina 29202-0191

Office of the Director
(803) 737-1302 • Fax (803) 737-2038

Deputy Director of Engineering
(803) 737-1314 • Fax (803) 737-2038

Deputy Director of Finance and Administration
(803) 737-1240 • Fax (803) 737-1719

Deputy Director of Mass Transit
(803) 737-9720 • Fax (803) 737-9739

DM0597

March 25, 1997

MEMORANDUM TO GROUP LEADERS AND CONSULTANTS

SUBJECT: Revised Control Joint Details

Beginning with the July 1997 Letting, the attached control joint details should be used on all projects.

This revised control joint detail requires a 3 mm (1/8") open joint between barrier sections.

This revision is a result of a Bridge Construction Office request to reduce barrier concrete cracking near joints.

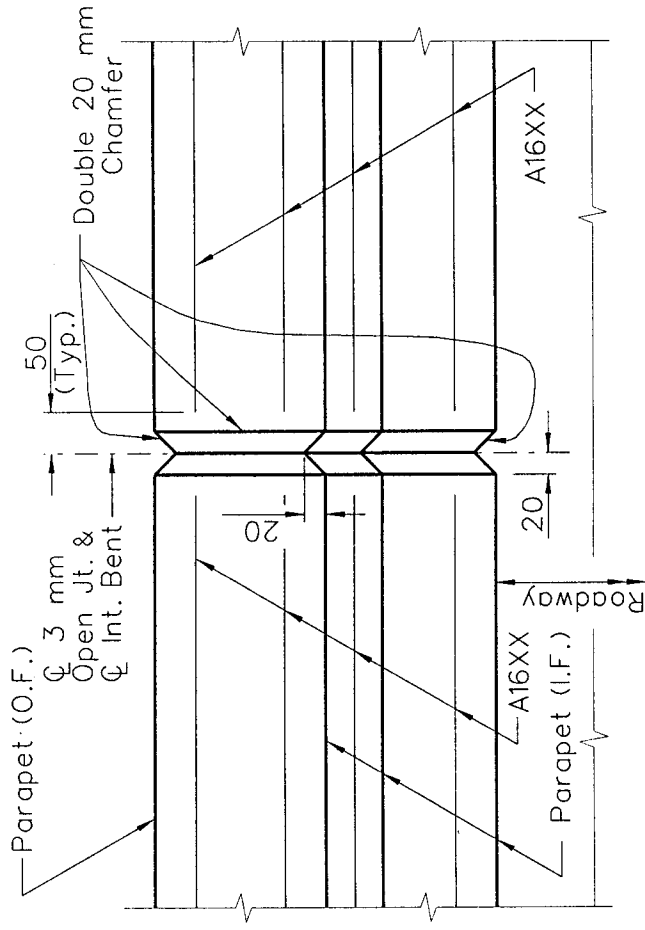
Randy R. Cannon, P. E.
Bridge Design Engineer

RRC/slb

Attachment

cc: Assistant Bridge Design Engineers
Bridge Construction Engineer

File: PC/REL



NOTE: Place Double 20 mm Chamfer on each face of Parapet at \varnothing Int. Bent.

PART PLAN SHOWING CONTROL JOINT