



South Carolina
Department of Transportation

955 Park Street
Post Office Box 191
Columbia, South Carolina 29202-0191

Office of the Executive Director
(803) 737-1302 • Fax (803) 737-2038

State Highway Engineer
(803) 737-1314 • Fax (803) 737-2038

Chief Financial Officer
(803) 737-1240 • Fax (803) 737-2014

Director of Mass Transit
(803) 737-9720 • Fax (803) 737-9739

DM0398

June 22, 1998

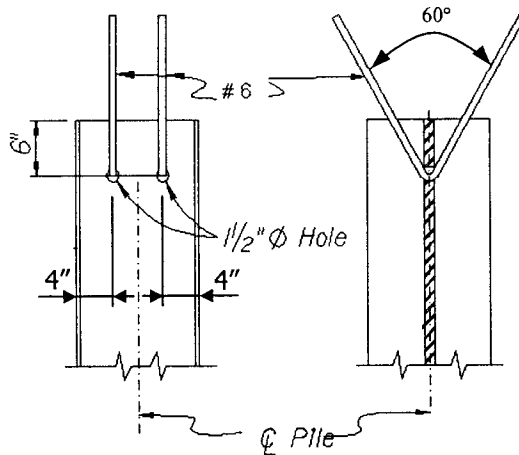
MEMORANDUM TO GROUP LEADERS AND CONSULTANTS

SUBJECT: Steel Pile Anchorage into Cap/Footing

In order to improve and standardize seismic detailing of pile anchorage, the following detail shall be incorporated into all bridge plans using steel piling, unless seismic analysis dictates otherwise.

Two V shaped #6 rebars should be used to anchor steel piles to the cap/footing. The diameter of the hole should be limited to 2 times the bar diameter (1.5"). The rebars should be tied or wedged tightly against the top of the hole to reduce the possibility of slip between the rebar anchor and the pile. The rebars should extend into the cap or footing a minimum of 1'-8" beyond the bottom mat of reinforcement.

Plans already detailed according to previous policy need not be changed.



Notes:
Holes shall be drilled or punched.
Rebars shall be tied or wedged tightly against the top of the hole

PILE ANCHOR DETAIL

Randy R. Cannon
Randy R. Cannon, P. E.
Bridge Design Engineer

cc: Assistant Bridge Design Engineers
File: PC/MA